



Features

- Turnkey solution for temperature monitoring and measurement
- Long range infrared radiation of 8μm to 14 μm
- Intuitive user interface with touchscreen and physical buttons
- Easy to use monitoring & setup utility
- Compact size for easy installation
- Ideal for condition monitoring and process monitoring



System

CPU	ARM Quad-core Cortex-A35
OS	Android 8.1, (BTO service for Buildroot)
Memory	2GB DDR4 memory soldered on board
Flash	16GB eMMC flash soldered on board

Lonewave Infrared Camera

WiFi	IEEE 802.11 a/b/g/n
Antenna	Built-in dual band (2.4G/5G) chip antenna
Camera	5 Mega pixel FF
Flash Light	LED Flashlight

Sensor	Array Format	80 x 60
	Pixel	17μm
	Effective Frame Rate	8.7Hz
	Scene Dynamic Range	0°C ~ 120°C
	Radiometric Accuracy	±5°C
	Field of View	51° (H), 63.5° (D)

I/O Interface & Button

USB Port	Micro USB connector for debug (internal)
LED	3-color LED; Pair, Link, Activity
Power Jack	1 x 3-pin M8 power jack (IP67)
Power Input	5V/2A
Net Weight	150 g
Dimensions	89.9 x 64.24 x 27.27 mm 105.9 x 99.3 x 44.2 mm w/ stand

Peripherals and Devices

Front Camera	1 x 8MP resolution CMOS MIPI-CSI Type AF camera module
--------------	--

Audio	1 x built-in speaker (1W) 1 x built-in microphone
WWAN	WCDMA / LTE, Mini PCIE interface (optional)
WLAN	IEEE 802.11 a/b/g/n/ac
Bluetooth	Bluetooth 4.2, low power BLE
NFC	1 x 13.56MHz RFID & NFC reader with ISO 14443A/14443B/15693 & mifare
GPS	Supporting GPS / Galileo / Glonass / BeiDou / QZSS (optional)

I/O Interface

SD Card	1 x microSDHC/microSDXC/ microSD (Max. 128GB) card socket
USB	2 x USB 2.0 Type-A; 1 x micro USB 2.0
Speaker	1 x 8Ω/1W
DB9 Interface	1 x RS-232/422/485 COM port; 1 x RS-232 COM port
LAN	1 x RJ-45 Ethernet, 10/100Mbps
CAN	OBD-II
DIO	3 x DI, 3x DO (dry contract)
Expansion	Mini PCIE interface (USB signal only)

LCD Display

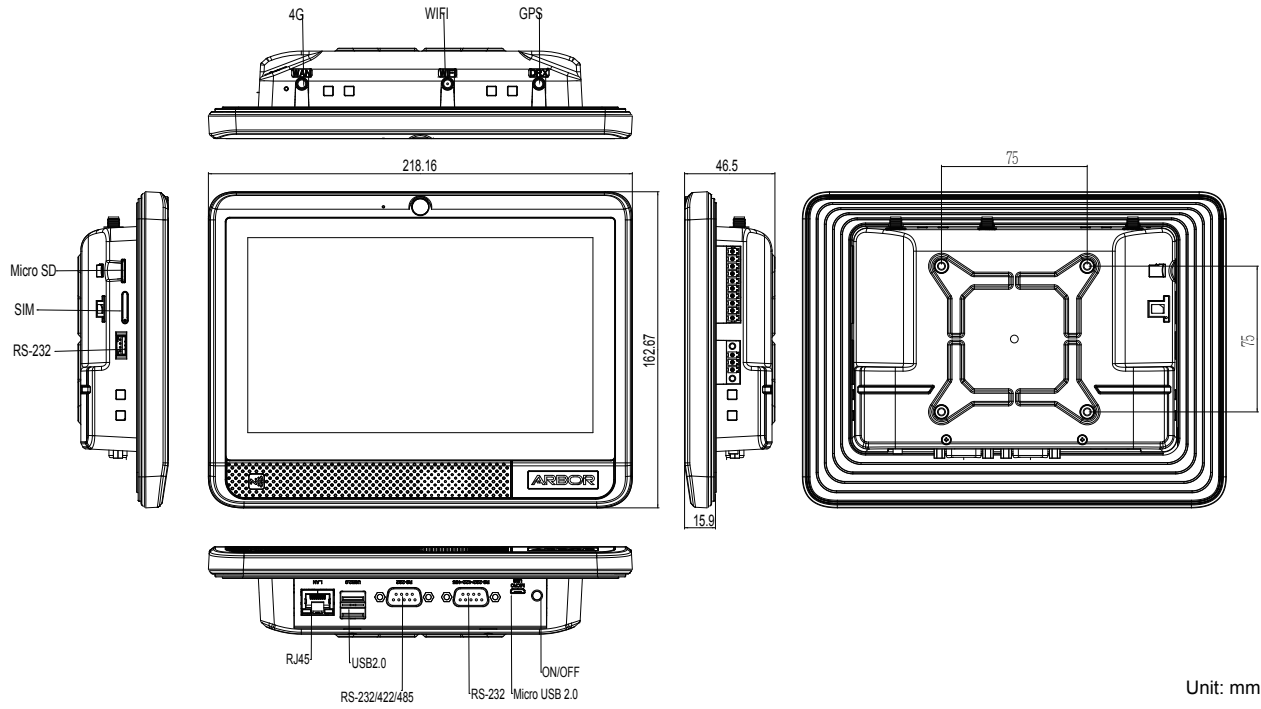
Size/Type	8" TFT LCD
Resolution	1024 x 600
Brightness (cd/m ²)	500 cd/m ²
Power Input	Built-in ignition detection
DC Input	3-pin terminal block 9V~36V auto-detection

Mechanical & Environmental

Operating Temp.	-20°C ~ 70°C (-4°F~158°F)
Storage Temp.	-20°C ~ 70°C (-4°F~158°F)
Operating Humidity	5~90% RH@ 50°C (non-condensing)
Dimensions (W x H x D)	218.16 x 162.67 x 46.5mm (W x H x D)
Weight	940g (2.07lb)



Dimensions



All specifications are subject to change without notice. Last update: OCT.09.2025

